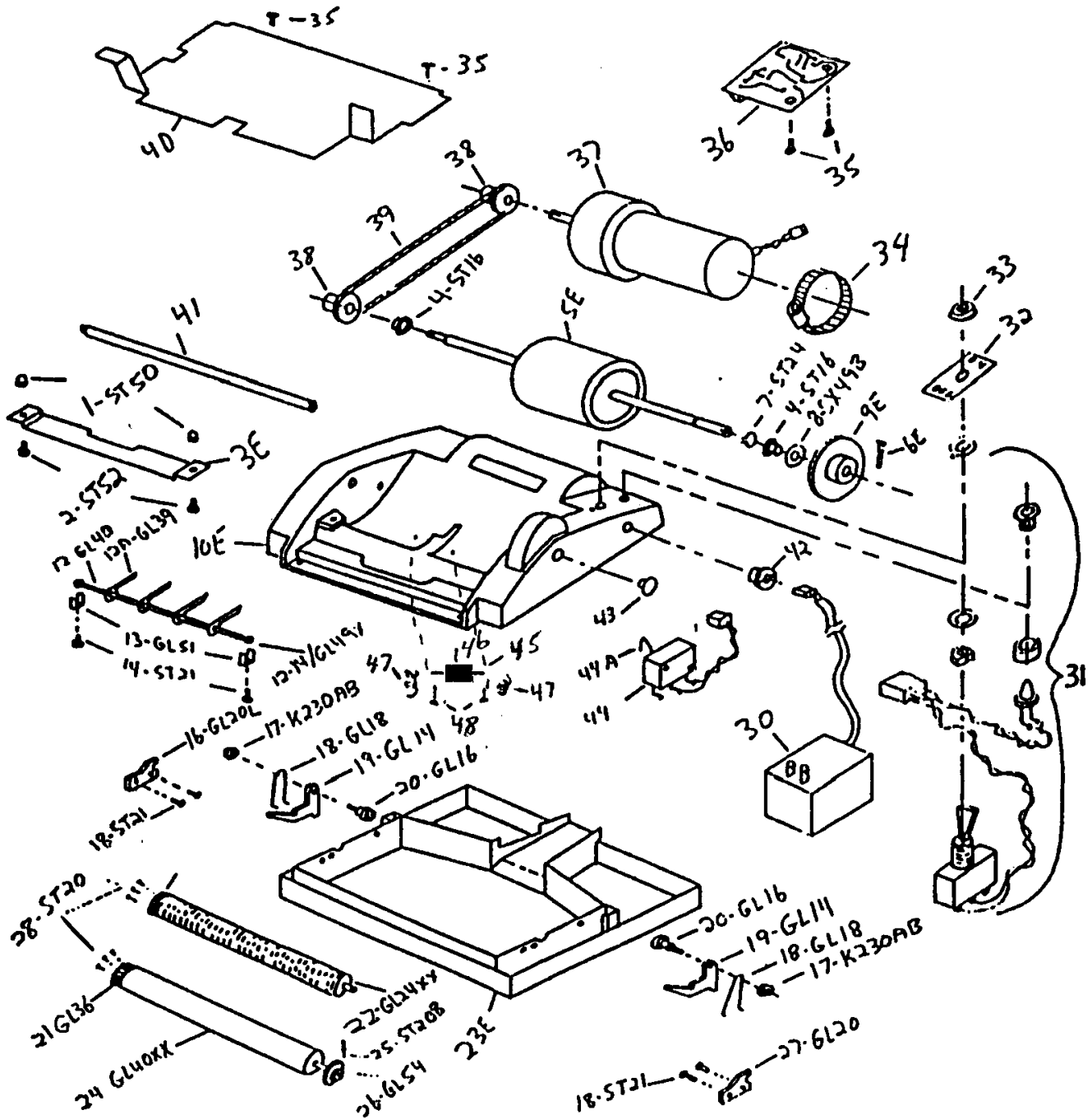


## LABEL PRO® 5.5E SCHEMATIC





## Label Pro 5.5E Parts List

DIAGRAM #	PART NO.	DESCRIPTION
1-ST50	1-ST50LPR	Acorn Nut
2-ST52	2-ST52LPR	Screw for Guide plate -5/16 Long
3E	3ELPR	Guide Plate with Label
4-ST16	4-ST16LPR	Bushing
5E	5ELPR	Rubber Roller Assembly -Electric
6E	6ELPR	Set Screw for Large Gear
7-ST24	7-ST24LPR	Retaining Ring
8-SX49B	8-SX49BLPR	Washer
9E	9-GL23LPR	Large Gear -Electric
10E	10ELPR	Cover -Electric
11E	11ELPR	Pressure Plate Spring -Electric
12-GL49	12-GL49LPR	Stripper Rod
12A-GL39X	12A-GL39XLPR	Finger Assembly
12-14/GL49X	12-14/GL49XLPR	Stripper Rod Assembly Complete
13-GL51	13-GL51LPR	Stripper Rod Bracket
14-ST21	14-ST21LPR	Screw for Bracket & Bearing Plate -3/16" long
15E	15-GL29LPR	Pressure Plate -Electric
16-GL20L	16-GL20LLPR	Left Bearing Plate
17-K230AB	17-K230ABLPR	Nut
18-GL18	18-GL18LPR	Pivot Arm Spring
18-ST21	14-ST21LPR	Screw for Bracket & Bearing Plate -3/16" long
19-GL14	19-GL14LPR	Pivot Arm
20-GL16	20-GL16LPR	Shoulder Screw
21-GL36	21-GL36LPR	Inner Gear
22-GL24XX	22-GL24XXLPR	Lower Roller & Gear Assembly
22-GL24XXH20	22-GL24XXH20LPR	Lower Roller & Gear Assembly for LPR5.5E -H20 Label Moistener
23E	23ELPR	Base & Foot Assembly -Electric
24-GL40XX	24-GL40XXLPR	Upper Roller Assembly
24-GL40XXH20	24-GL40XXH20LPR	Upper Roller Assembly for LPR5.5E -H20 -Label Moistener
25-ST208	25-ST208LPR	Roll Pin for Outer Gear
26-GL54	26-GL54LPR	Outer Gear
27-GL20	27-GL20LPR	Right Bearing Plate
28-ST20	28-ST20LPR	Screw for Inner Gear
30	30LPR	110 Volt Power Supply
30-220	30LPR-220	220 Volt Power Supply
31	31LPR	On/Off Switch & LED Assembly
32	32LPR	On/Off Label
33	33LPR	Dress Nut #N-3
34	34LPR	Micro Gear Clamp #6205
35	35LPR	Self Tapping Screw
36	36LPR	PC Board
37	37LPR	Pittman Gear Motor (GM8712-21)
38	38LPR	Pulley for Gluers with serial numbers lower than 1000
38R	38RLPR	Pulley for Gluers with serial numbers higher than 1000
39-Green Plastic	39LPR	Timing Belt for Gluers with serial numbers lower than 1000
39R-Black Rubber	39RLPR	Timing Belt for Gluers with serial numbers higher than 1000
40	40LPR	Protective Cover -Nylon Reinforced Plastic
41	41LPR	Nylon Label Guide Rod
42	42LPR	Strain Relief Bushing # 1034
43	43LPR	Hole Plug #652
44	44LPR	Label Sensing Switch (includes Part # 44A & Mntg Bracket w/screws)
44A	44ALPR	Label Sensing Wire
45	45LPR	Pressure Roller Shaft
46	46LPR	Pressure Roller
47	47LPR	Pressure Roller Spring
48	48LPR	Pressure Roller Screw
48A	48ALPR	Washer for Pressure Roller Screw
49-GL13	49-GL13LPR	Rubber Sleeve Only