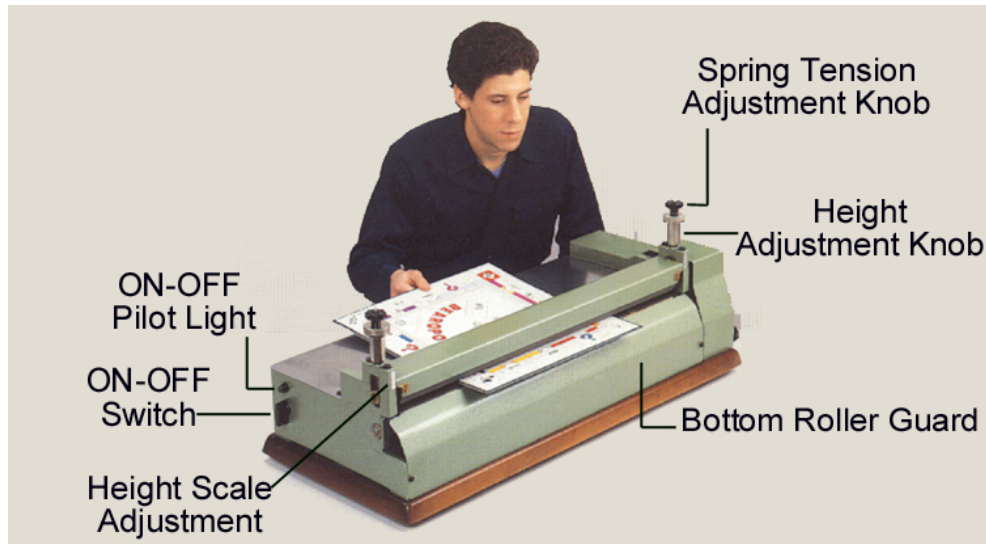




Instructions for Adjutant Rotary Press



Operating Instructions

Your Gluefast Adjutant Label/Laminating Rotary Press was shipped to you ready for operation. There are three controls:

- 1. SPRING TENSION**
- 2. HEIGHT ADJUSTMENT**
- 3. VARIABLE SPEED**

This is all there is to adjusting the simple yet labor saving machine. Adjust the spacing between the upper rubber roller and the lower metal roller by placing an unglued label onto the flat board stock into the Adjutant. Adjust the Height Adjustment knob for the thickness of the material. Do not force! A heavy "thumping" sound is indicative of a good setting. This setting should be noted on the Height Scale for future reference when using this label and board stock combination. It should be the same on both sides of the Adjutant.

After applying the glued label onto the flat board stock, smooth the leading edge of the label prior to placing the glued board-label combination through the Adjutant. The variable motor speed adjustment (not available on 220-volt models) is located on the back right hand of the machine (when looking from the front where the label-board combination exits). Turning the knob moves the motor changing the tension on the adjustable pulley, thereby changing the speed of the rollers. Fixed pulleys are available for higher machine speeds.



Cleaning / Lubricating Instructions

Remove the top and bottom roller guards and the motor flywheel pulley housing cover. Lubricate all roller bushing oil holes (marked in red) with lightweight oil daily or less frequently if not heavily used. This includes the front flywheel collar oil hole located in the center of the pulley (not the variable speed pulley on the motor).

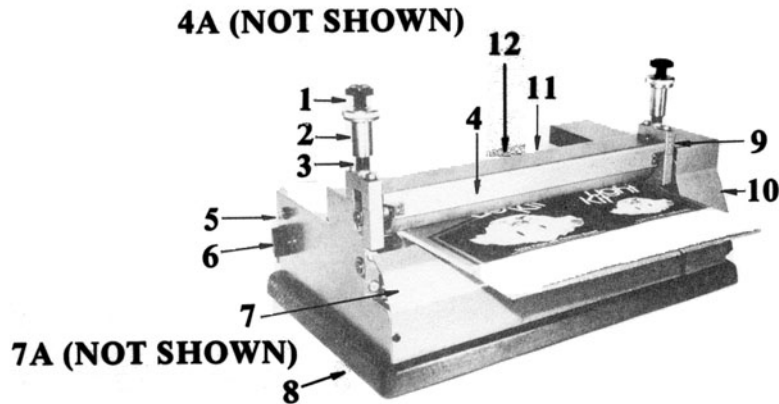
Both the top and bottom rollers should be kept clean to prevent marring of the label surface. A simple solution of alcohol and water is suggested to clean as often as necessary.



*Sticky Problem?
Ask the Glue Master!
He's working for you at Gluefast!*



20", 32", and 42" Adjutant



"THE ADJUTANT"

20", 32" OR 42" WRINKLE-TAMER LABEL PRESS

- 1 - SPRING TENSION KNOB
- 2 - HEIGHT ADJUSTMENT KNOB
- 3 - THREADED SHAFT WITH BASE AND SPRINGS
- 4 - TOP ROLLER COVER GUARD
- 4A - TOP ROLLER (RUBBER) - Beneath Top Roller Guard
- 5 - ON-OFF PILOT LIGHT AND TRANSPARENT COVER
- 6 - ON-OFF KNOB AND ON-OFF SWITCH
- 7 - BOTTOM ROLLER COVER GUARD
- 7A - BOTTOM ROLLER (STEEL)
- 8 - WOOD BASE PLATFORM
- 9 - HEIGHT SCALE WITH POINTERS
- 10 - DRIVE COVER GUARD
- 11 - FEED TABLE
- 12 - MOTOR PULLEY ASSEMBLY (Below Feed Table)



Adjutant Parts List – Page 1 of 2

DIAGRAM #	PART NO.	DESCRIPTION
1	1ADJ	Spring Tension Knob
2	2ADJ	Height Adjustment Knob (Steel)
2A	2AADJ	Mounting Block
3	3ADJ	Threaded Shaft with Base Roller Bushing
3A	3AADJ	Threaded Shaft Spring
4-20	4-20ADJ	Top Roller Cover Guard - 20"
4-32	4-32ADJ	Top Roller Cover Guard - 32"
4-42	4-42ADJ	Top Roller Cover Guard - 42"
4A-20	4A-20ADJ	Top Roller (Rubber) - 20"
4A-32	4A-32ADJ	Top Roller (Rubber) - 32"
4A-42	4A-42ADJ	Top Roller (Rubber) - 42"
5	33COL	On/Off Pilot Light
6	35COL	On/Off Knob
6A	35ACOL	On/Off Switch (same as Colonel)
7-20	7-20ADJ	Bottom Roller Cover Guard - 20"
7-32	7-32ADJ	Bottom Roller Cover Guard - 32"
7-42	7-42ADJ	Bottom Roller Cover Guard - 42"
7A-20	7A-20ADJ	Bottom Roller (Steel) - 20"
7A-32	7A-32ADJ	Bottom Roller (Steel) - 32"
7A-42	7A-42ADJ	Bottom Roller (Steel) - 42"
7B	7BADJ	Bottom Roller Bushing - Left or Right Side
8-20	8-20ADJ	Base Platform - 20"
8-32	8-32ADJ	Base Platform - 32"
8-42	8-42ADJ	Base Platform - 42"
9	9ADJ	Height Scale with Pointer
10	10ADJ	Drive Guard Cover
11-20	11-20ADJ	Feed Table - 20"
11-32	11-32ADJ	Feed Table - 32"
11-42	11-42ADJ	Feed Table - 42"

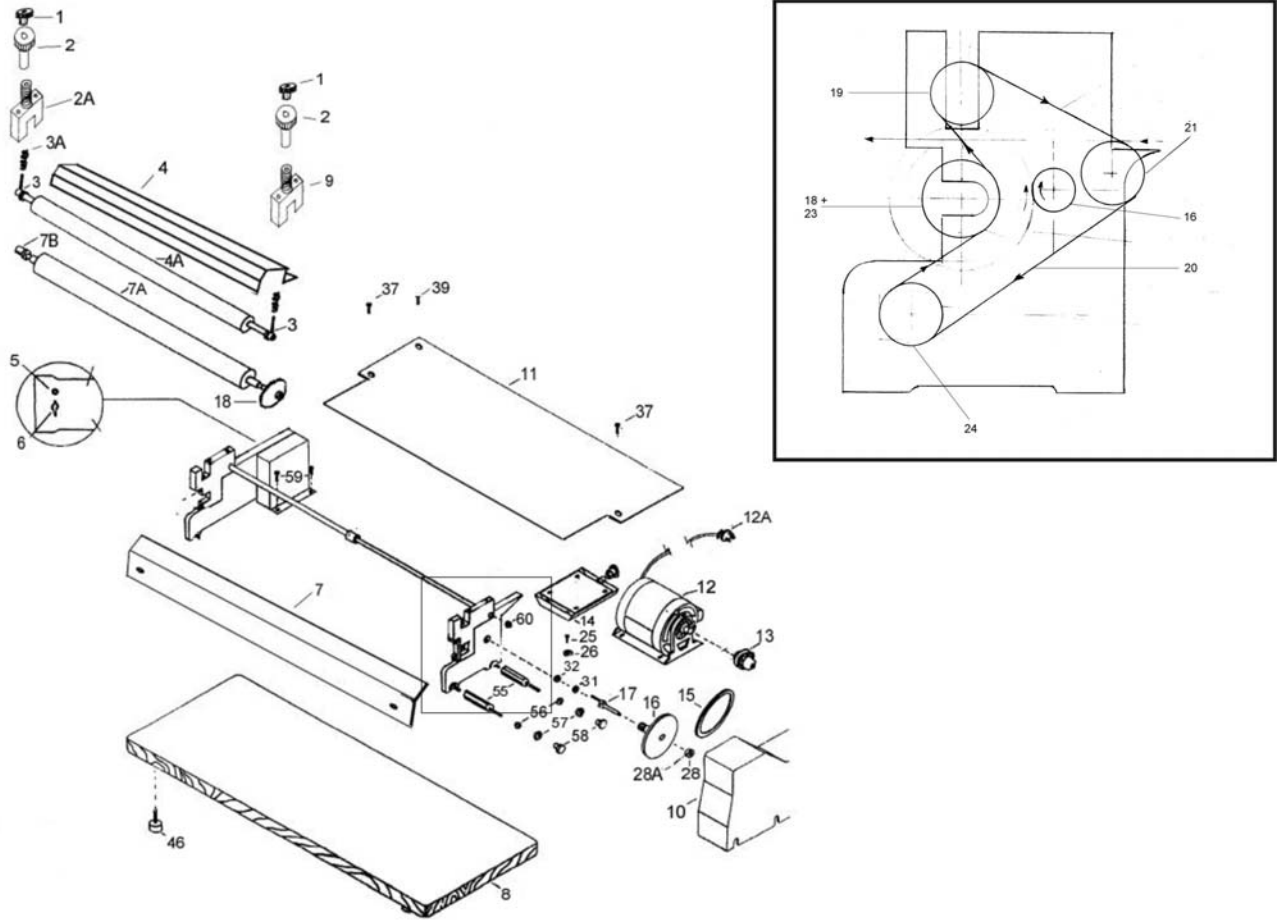


Adjutant Parts List – Page 2 of 2

DIAGRAM #	PART NO.	DESCRIPTION
12	12ADJ	Motor - 1/6 HP - 110 Volt A/C
12-220	12-200ADJ	Motor - 1/3HP - 220 Volt A/C
12A	12AADJ	Motor Junction Box (1/6/ HP)
13	13ADJ	Variable Speed Pulley - 3/8" for 1/6 HP Motor
13-220	13-200ADJ	Variable Speed Pulley - 1/2" for 1/3 HP Motor
14	24COL	Variable Speed Mounting Plate for 1/6 HP Motor Only
15	15ADJ	Drive Belt - #2L280 for 1/6 HP Motor
15-220	15-200ADJ	Drive Belt - #2L270 for 1/3/ HP Motor
16	28+29COL	Flywheel with Pinion Gear
17	30+31+32COL	Eccentric Shaft with Locknut & Washer
17A	17AADJ	Eccentric Shaft Collar (Only)
18	18ADJ	Fiber Drive Gear
19	19ADJ	Chain Wheel 3/8"-12
20	20ADJ	Chain 2191
21	21ADJ	Chain Wheel 3/8" -12
23	23ADJ	Chain Wheel 3/8" -12
24	24ADJ	Chain Wheel 3/8" -10

February 2005

ADJUTANT SCHEMATIC DIAGRAM



Inset diagram on upper right (and photo below) is only for machines with chain driven upper roller sold on machines from 2005 and later.

